

EN

The Router CM-R 19 is a mobile WLAN access point for coaches that enables passengers to connect their devices to the internet and to access audio/video contents provided by other devices of the Coach Infotainment system.

The safety notices applicable to the device can be found in the device's operating instructions. You can

download the device's operating instructions and Declaration of Conformity at

www.bosch-professional-systems.com.

FR

Le Router CM-R 19 est un accès WLAN mobile pour autobus, permettant aux passagers de

se connecter à Internet avec leurs appareils mobiles.

Les consignes de sécurité applicables à cet appareil figurent dans son mode d'emploi. Le mode d'emploi et la déclaration de conformité de l'appareil sont disponibles au téléchargement à l'adresse Internet suivante :

www.bosch-professional-systems.com.

ES

El Router CM-R 19 es un punto de acceso WLAN móvil para autobuses que permite a los

pasajeros conectar sus dispositivos a Internet.

Las advertencias de seguridad relativas al equipo se pueden consultar en el manual de instrucciones. Tanto

el manual como la Declaración de Conformidad pueden descargarse de la página web

www.bosch-professional-systems.com.



Product information

Router CM-R 19

7 620 320 034 (NAFTA)



Robert Bosch GmbH

Robert-Bosch-Platz 1
70839 Gerlingen
Germany

www.bosch-professional-systems.com

Technical data subject to modification without notice.
Printed in Germany. Any color variations are due to the
limitations of the printing process.

Printed on 100% chlorine-free bleached cellulose
manufactured in an environmentally friendly process.



01/23 – CVO/PRM-CT

8 637 103 667

TECHNICAL DATA	
Power supply	12 V / 24 V (8 V – 36 V)
Current consumption	2 A
12 V: Max. current	< 150 µA
Standby current	1 A
24 V: Max. current	< 150 µA
Standby current	5 A
Required electrical fuse protection:	
WLAN standards	IEEE 802.11a/b/g/n/ac
Cellular standards	LTE-FDD, LTE-TDD, WCDMA
LTE FDD	B2, B4, B5, B7, B12, B13, B25, B26, B29, B66
LTE TDD	B41
WCDMA	B2, B4, B5
Positioning	GPS, Galileo
Antenna connectors	LTE (2x FAKRA D, claret violet), GPS (FAKRA C, blue)
Cellular antenna	External (roof antenna)
WLAN antenna	Internal
WLAN frequency	2.4 GHz, 5 GHz
Encryption	WPA2 (AES)
Firmware update	Standalone mode: Manual via USB stick ClS mode: Via network
Reset function	Factory reset
Protection type	DIN 40050-9 to IP40
Operating temperature	-20 °C to +70 °C
Storage temperature	-40 °C to +85 °C
Relative humidity	25 % to 75 %, noncondensing
Dimensions (W x H x D)	226.9 x 61.5 x 206.9 mm
Weight	Approx. 1267 g
Certification	FCC/IC, NOM, IFT, FMVSS 302, PTCRB, AT&T

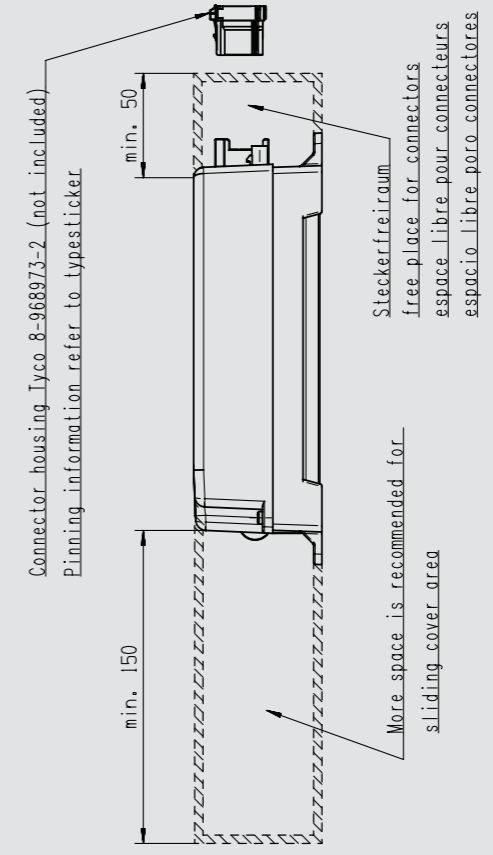
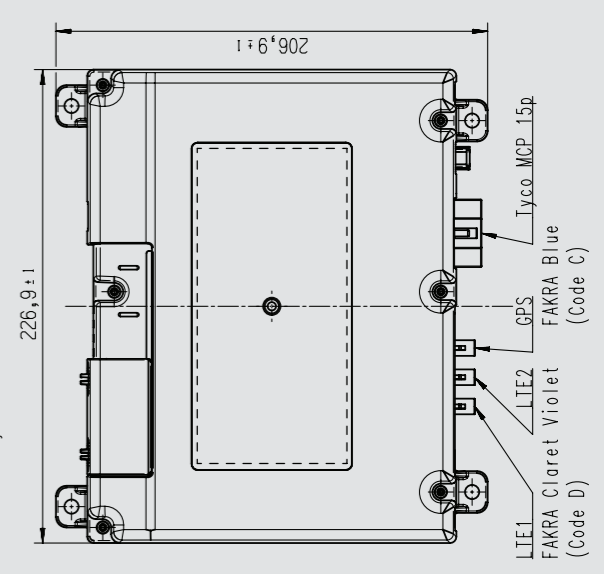
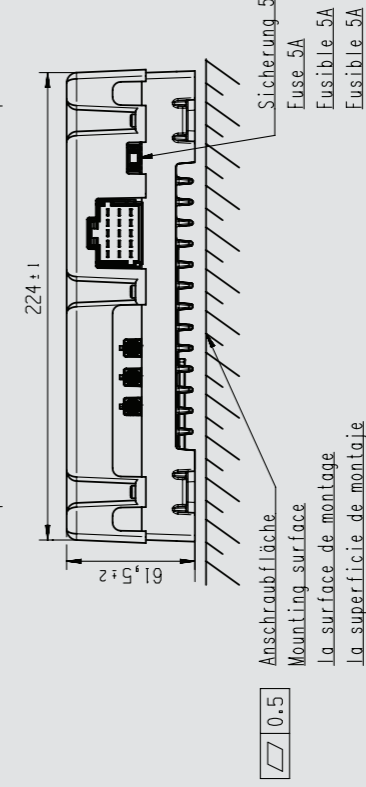
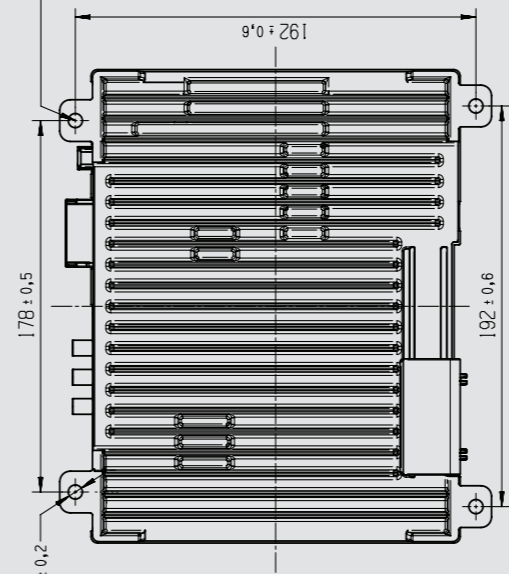
TECHNOLOGY	FREQUENCY BAND	RADIATED POWER
WLAN 2.4 GHz	2.400 GHz – 2.4835 GHz	23.0 dBm
WLAN 5 GHz	5.150 GHz – 5.250 GHz	11.8 dBm
	5.250 GHz – 5.350 GHz	11.8 dBm
	5.470 GHz – 5.600 GHz	24.0 dBm
	5.650 GHz – 5.725 GHz	24.0 dBm
Mobile telephone modem	LTE-FDD bands	23 dBm
	LTE-TDD bands	23 dBm
	WCDMA bands	24 dBm

LTE ANTENNA		
Frequency range	Peak gain	Type
617 – 960 MHz	5 dBi	External
1710 – 3800 MHz	9 dBi	
4900 – 6000 MHz	10 dBi	

GPS/GNSS ANTENNA		
Frequency range	Gain: LNA	Type
1562 – 1612 MHz	26 dB	External

WLAN ANTENNA		
Frequency range	Peak gain	Type
2400 – 2485 GHz	3.6 dBi	Internal
5150 – 5825 GHz	5.1 dBi	

(4x) Ø 6,8 ± 0,2
 Recommended for M5 bolt with flange or washer (4x) (not included)
 Recommended min. torque: 200N.cm



Antenneneingang
 LTE1: Muss mindestens angeschlossen sein
 LTE2: Beide Eingänge für LTE-MIMO-Antennen (max. Datenrate)
 GPS: Anschluss GPS-Antenne
 Empfohlene Antenne: GREAT WHITE LGMW-6-60, MIMO SHARKEE SHKG-6-60
 Antenna input
 LTE1: Must at least be connected
 LTE2: Both inputs for LTE MIMO antennas (max. data rate)
 GPS: GPS antenna connection
 Recommended Antenna: GREAT WHITE LGMW-6-60, MIMO SHARKEE SHKG-6-60
 Entrée d'antenne
 LTE1: Doit au moins être branché
 LTE2: Les deux entrées pour antennes LTE MIMO (taux de transfert max.)
 GPS: Branchement antenne GPS
 Antenne Recommandée: GREAT WHITE LGMW-6-60, MIMO SHARKEE SHKG-6-60
 Entrada de antena
 LTE1: Debe estar al menos conectada
 LTE2: Ambas entradas para antenas LTE MIMO (máx. velocidad de datos)
 GPS: Conexión de la antena GPS
 Antena Recomendada: GREAT WHITE LGMW-6-60, MIMO SHARKEE SHKG-6-60