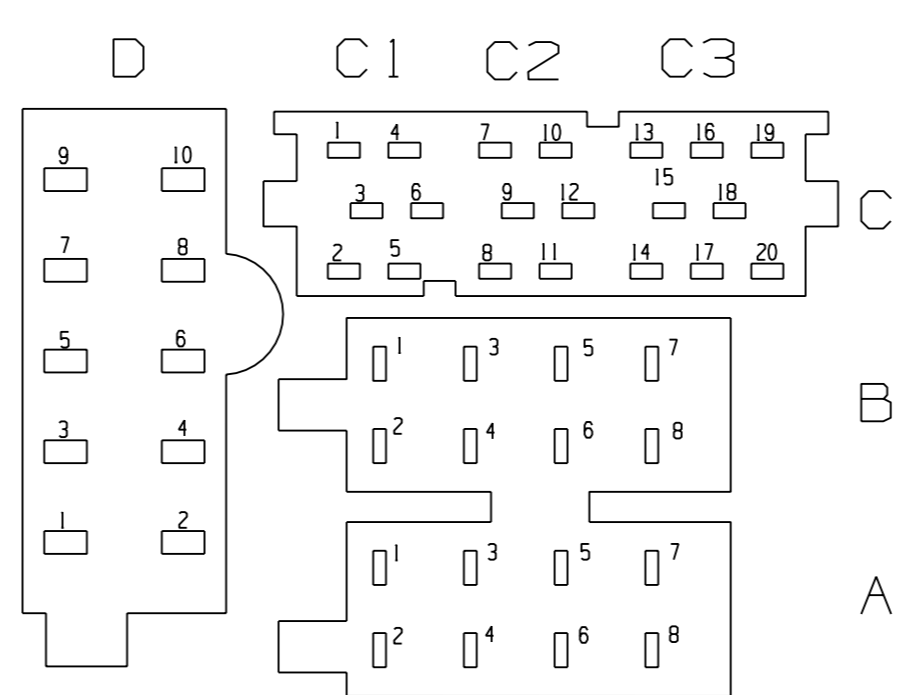
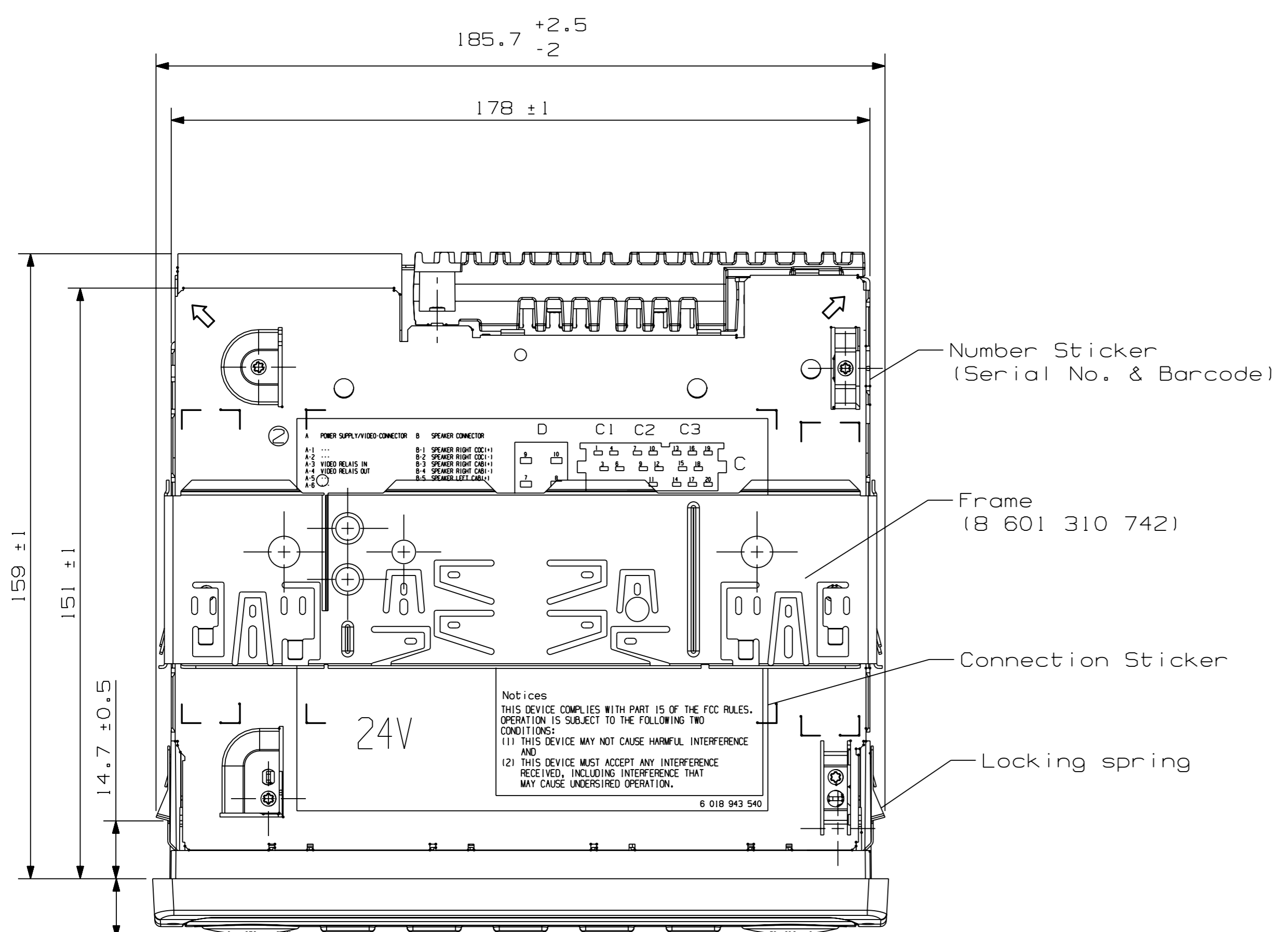
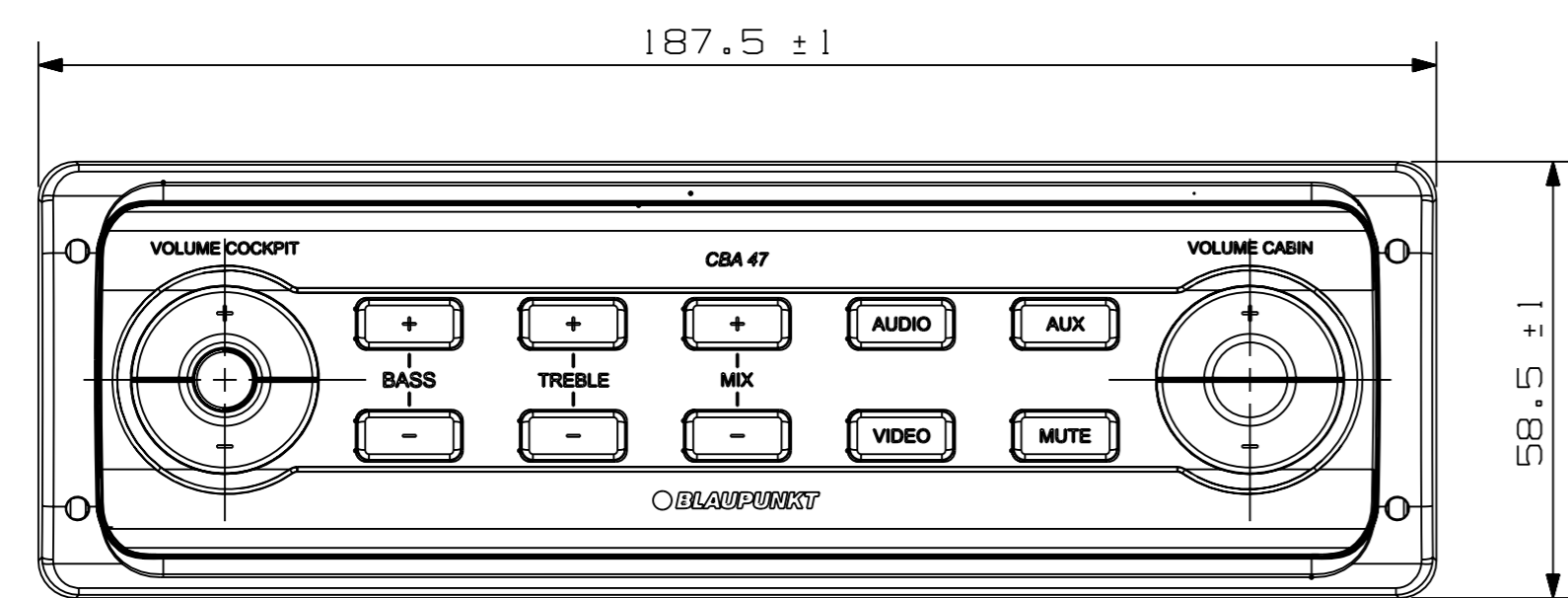
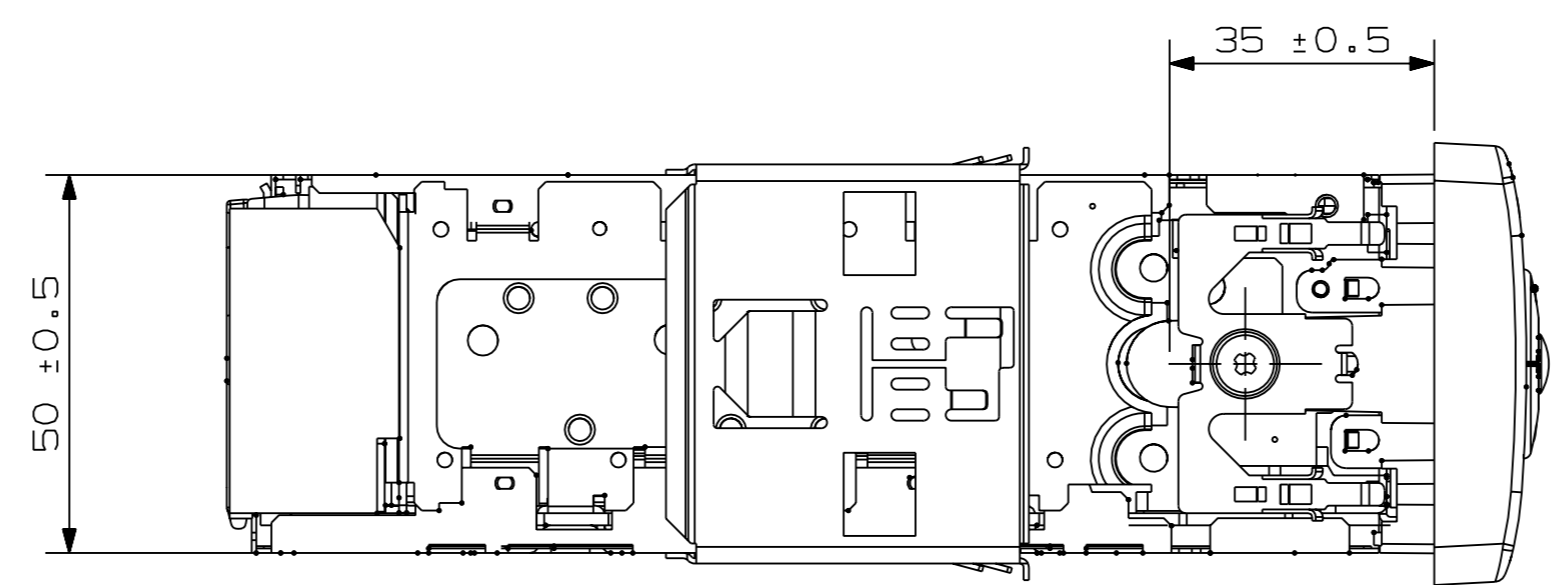
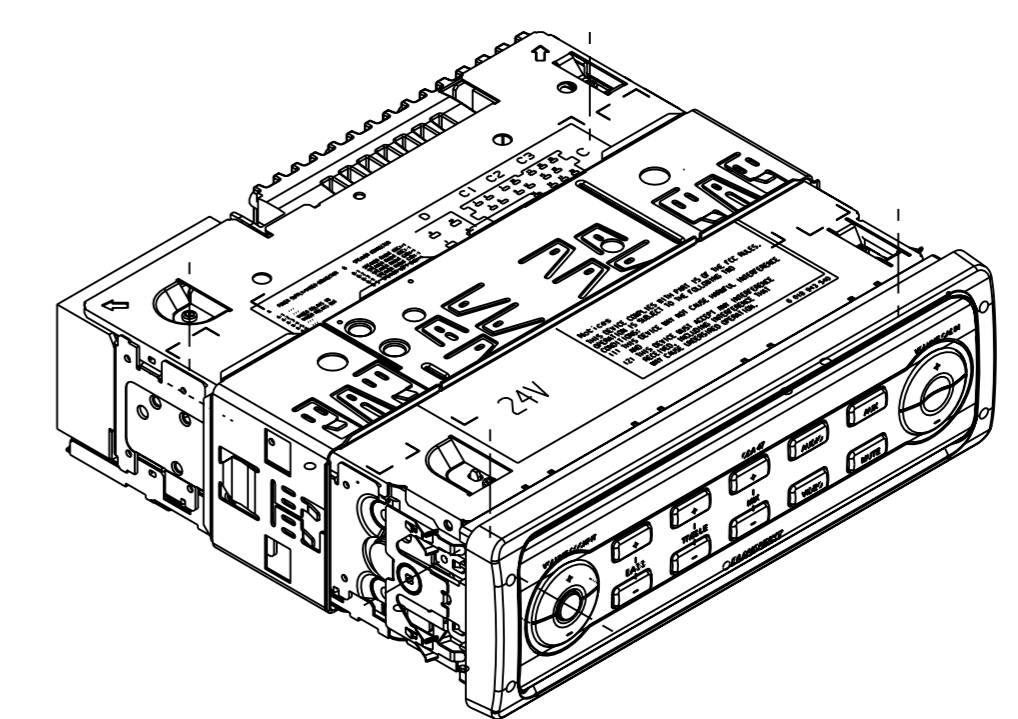


7 620 210 005			
Rauheitsang. / DIN EN ISO 1302 IN/2A DS/11 / SURF. ROUGHN.			
Kanten / EDGES	DIN ISO 13715 IN/2A B4/1		
Metz. / ISO	ohne Oberfl. / W/O SURFACE	mit Oberfl. / WITH SURFACE	
Aussengewinde / EXT. THREAD			
Innengewinde / INT. THREAD			
Nicht tolerierte Masse / NON TOLERANCED DIMENSIONS			
0.5	> 3	> 6	> 30
...3	...6	...30	...120
± 0.1	± 0.15	± 0.2	± 0.5
Rundungen, Fasen / RADIUS, CHAMFERS			
± 0.2	± 0.5	± 1	± 1
Winkel, Masse der kürzeren Schenkel / ANGLES, DIM. OF THE SHORTER SIDE			
bis 10	...10	...30	...120
± 1'	± 30'	± 30'	± 10'
Form- und Lagertoleranzen / TOLERANCES OF FORM AND POSITION			
DIN ISO 2768-H IN/3 B2/11			
Stoffe entsprechen N2580 / MATERIALS CORRESPOND TO N2580			
ISO-Grenzklasse / ISO L.M. OF SIZE			
über bis / TOL. CLASS	Grenzabweichung / DEVIATIONS		
OVER TO			



Parts	Colour Indication
1. Night Design Illumination - Buttons	Red
2. Night Design illumination -ON Button	Blue
3. Front Cover Printing	Grey White, Blue
4. Volume Cockpit	Black RAL 9005
5. Volume Cabin	Dark titanium
6. Pre set Buttons	Dark titanium

A POWER SUPPLY/VIDEO-CONNECTOR	B SPEAKER CONNECTOR	C1 RADIO-CONNECTOR	C2 AUX CONNECTOR	C3 VIDEO CONNECTOR	D MICROPHONE-CONNECTOR
A-1 ---	B-1 SPEAKER RIGHT COC(+)	C-1 RADIO IN RIGHT(+)	C-7 AUX AF IN LEFT	C-13 MAUS-OUT	D-1 MIC 1 AF(+)
A-2 ---	B-2 SPEAKER RIGHT COC(-)	C-2 RADIO IN RIGHT(-)	C-8 AUX AF GND	C-14 MAUS-IN	D-2 MIC 1 AF(-)
A-3 VIDEO RELAIS IN	B-3 SPEAKER RIGHT CAB(+)	C-3 RADIO GND	C-9 AUX AF IN RIGHT	C-15 VIDEO (24V)VCC	D-3 MIC 1 REMOTE
A-4 VIDEO RELAIS OUT	B-4 SPEAKER RIGHT CAB(-)	C-4 RADIO IN LEFT(+)	C-10 ---	C-16 VIDEO REMOTE	D-4 MIC 2 REMOTE
A-5 ---	B-5 SPEAKER LEFT CAB(+)	C-5 RADIO IN LEFT(-)	C-11 PHONE AF OUT	C-17 GROUND/MINUS	D-5 MIC 2 AF(+)
A-6 ---	B-6 SPEAKER LEFT CAB(-)	C-6 RADIO POWER(+12V OUT)	C-12 PHONE GND	C-18 VIDEO AF GND	D-6 MIC 2 AF(-)
A-7 BATTERY (+24V)	B-7 SPEAKER LEFT COC(+)			C-19 VIDEO AF L	D-7 MIC 1 REMOTE GND
A-8 GROUND/MINUS	B-8 SPEAKER LEFT COC(-)			C-20 VIDEO AF R	D-8 MIC 2 REMOTE GND
					D-9 ---
					D-10 ---

Drawing of product without packing.
 This drawing contains only the essential mounting dimensions.
 Further dimensions can be referred to individual drawing.
 The above dimensions and tolerances are meant for acceptance purpose.
 The additional of tolerances from individual part drawing will result in lower values.

Fehl. Angaben/ MISS. DETAILS		Oberfläche / SURFACE		Massestab / SCALE 1:1(1:2)		Gewicht / WEIGHT	
1. Verwendung/ 1ST APPLICAT.				Stoff/ MAT'L			
Dokumententyp/ DOCUMENT TYPE				aus/ FROM			
Stückliste besonderes Blatt/ PARTS LIST ON SEPARATE SHEET							
No.		Date/ DATE		Name/ NAME		Benennung/ TITLE	
1		27.09.2006		VB			
2		28.09.2006		TU			
3		12.01.07		TU			
2		31.10.06		TU			
1		25.10.06		TU			
N°		gez. / gütlich		DIN		Original: RB/IN/ENDI	
Aenderung / CHANGE		D.M. / VALID		A1		BOSCH	
		gez. / gütlich		Ers./ REPLACES		7 620 210 005	
		D.M. / VALID		Ers./ REPLACES		de/en	
		D.M. / VALID		Ers./ REPLACES		Blatt / SHEET 1	
		D.M. / VALID		Ers./ REPLACES		1 / 1	

© Alle Rechte bei Robert Bosch GmbH, auch über den Fall von Schutzrechtsverletzungen. Jede Vervielfältigung, Verbreitung, auch auszugsweise, ist ohne schriftliche Genehmigung der Robert Bosch GmbH.

Weitere Hinweise: Zeichnungen
 FURTHER INFORMATION: DRAWINGS

OBSERVE INSTRUCTIONS FOR FILLING OUT NIZA D11/1