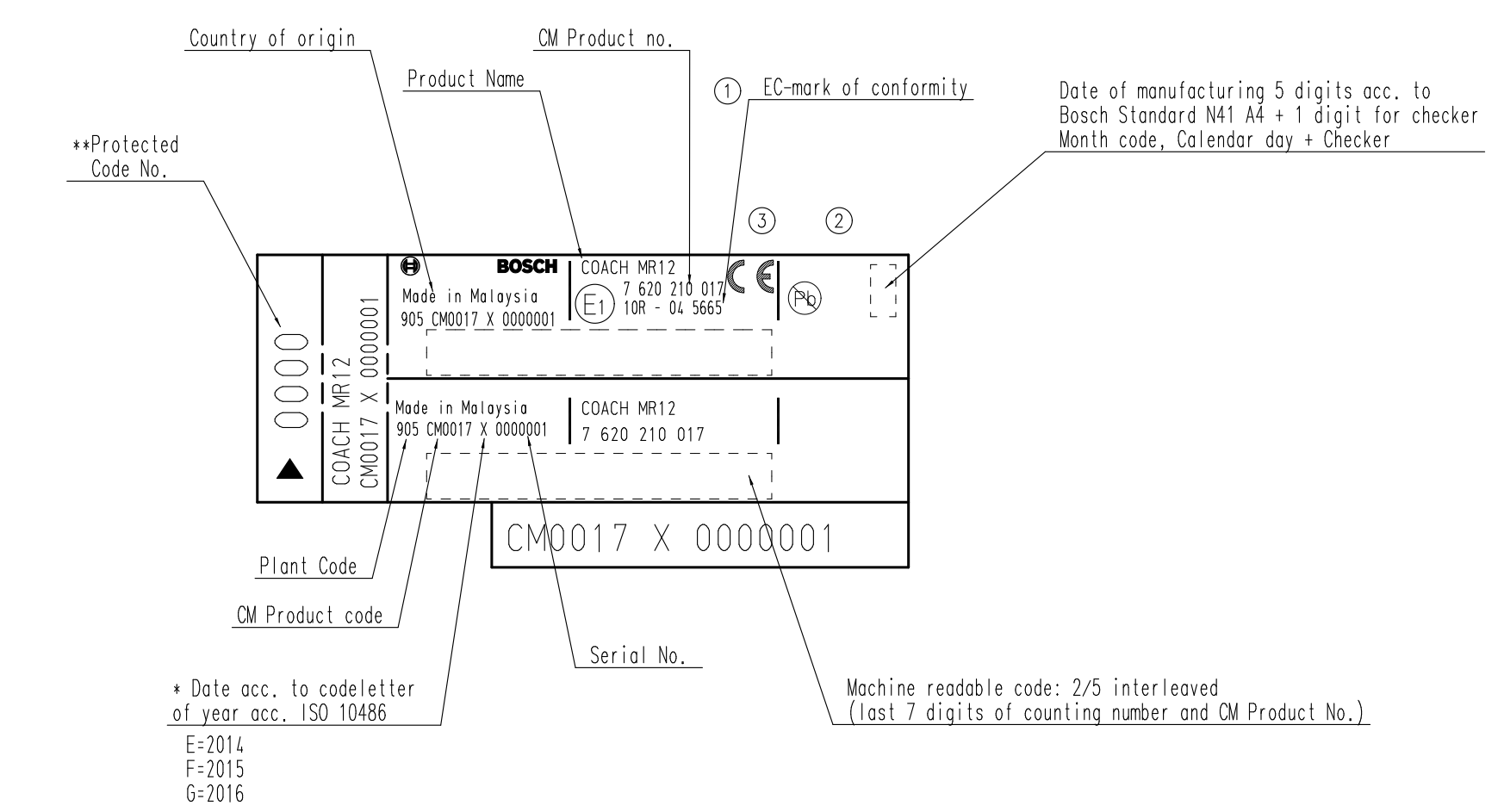


Supply Box Connector

A	<ol style="list-style-type: none"> n.c. GALA n.c. Ignition Switched 12V Out (max. 150mA) Illumination Battery (+12V) Ground
B	<ol style="list-style-type: none"> Speaker Rear + Speaker Rear - Speaker Front Right (+) Speaker Front Right (-) Speaker Front Left (+) Speaker Front Left (-) Speaker Rear L+ Speaker Rear L-
C	<ol style="list-style-type: none"> n.c. n.c. n.c. n.c. n.c. n.c. Phone AF-IN + Phone AF-IN - Phone MUTE (Remote) n.c. n.c. (GND) n.c. n.c. n.c. n.c. (GND) AUX 2_AF_GND AUX 2_AF_L AUX 2_AF_R
D	<ol style="list-style-type: none"> MIC_IN (+) MIC_IN (-) MIC_Remote n.c. n.c. n.c. MIC_Remote_GND n.c. n.c. n.c.

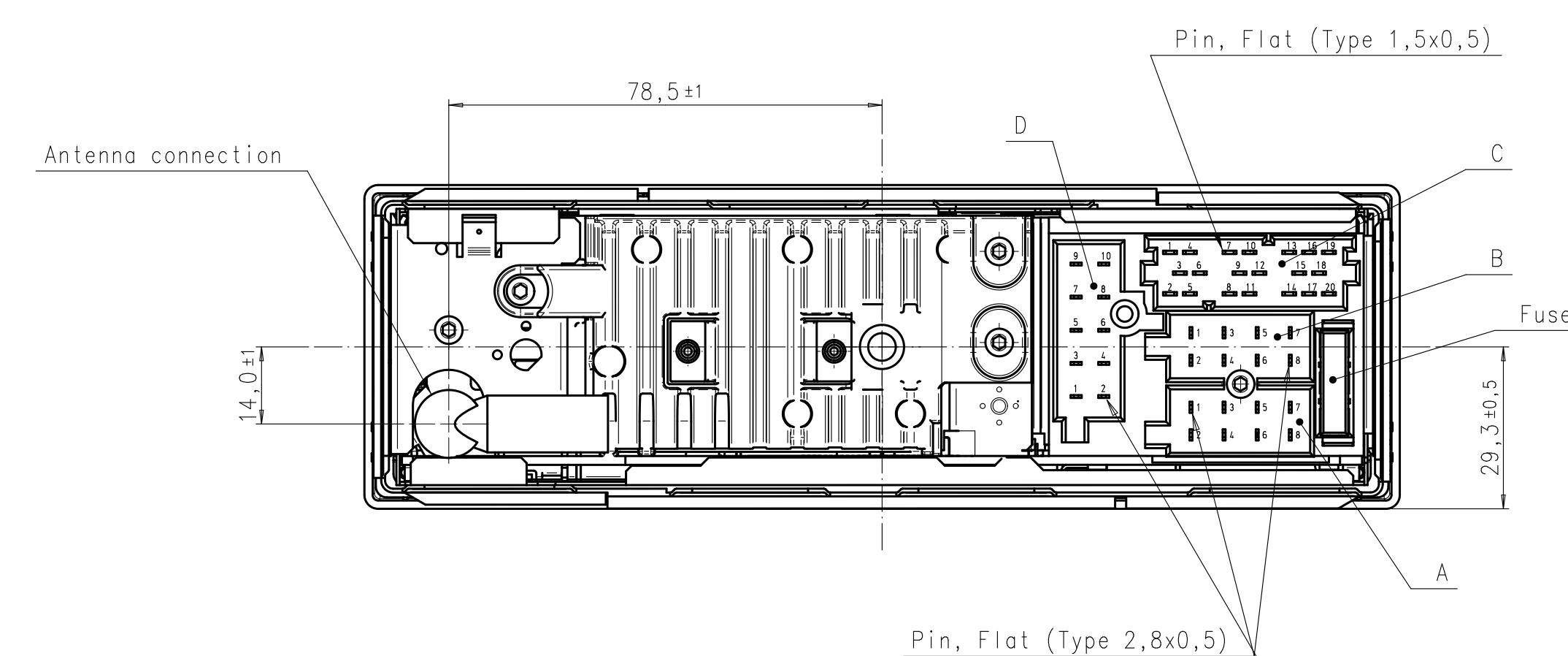
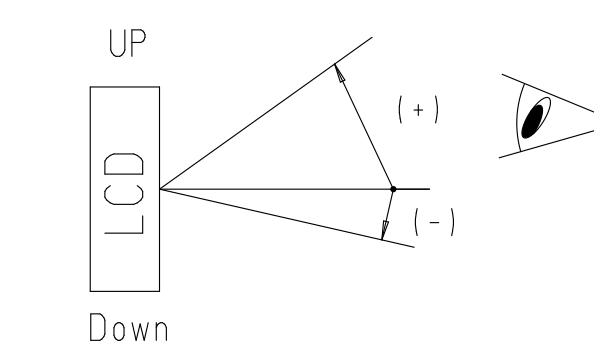
n.c. = No connection

Sticker Printed



12 O'clock Display (Top View)

Main view direction
 CR: >2:1, Vertical:-15° to 45°
 Horizontal:-50° to 50°
 CR: >5:1, Vertical:0° to 35°
 Horizontal:-45° to 45°
 CR: >10:1, Vertical:10° to 30°
 Horizontal:-45° to 45°



Parts	Colour Indication
1. LCD Display	Positive
2. LCD Illumination	Red (633 ±8nm)
3. Night Design Illumination	Red (633 ±8nm)
4. On Button Illumination	Red (633 ±8nm)
5. Front Cover Tamper Printed	White RAL 9002
6. Function Button Laser Marked	White

Parts	Material
Front Cover, Trim Ring & Volume Knob	PC + ABS (Bayblend T85MN)
Lasered Buttons	PC Makrolon 2407 white
Supply Box	PA66 30* GF
Remote Lens/ CD Light Guide	PC Clear
Cap (for IR and Code LED)	PC Makrolon (Translucent Dark)

Radio Weight = 0,90±0,2 kg

EMC: E1: ECE 10 R-04 5665, CE, FCC

* Form fit dimension.
 SPC checked dimension with Cpk ≥ 1,33
 Control dimension
 The part to be marked with the following notes:
 production month, part, alteration index and cavity number.
 Material marked acc. to ISO11469 for plastic part + 25g.
 Any process or paint/ink material change has to be approved by PUR.
 Part has to correspond with Bosch standard N2580-1, commitment G/A/E.
 Part Qualification:

PCB-Transfer-File		CAO	IDEAS
Project/Library: Team-Ideas_END_BPP-PS_Truck2010			
Measures without indication of tolerance acc. to		CAO	IDEAS
3 4010580 28.05.14 cap 5		9	
1 0014100 19.07.13 cap 5		8	
1 0010206 23.11.12 Wang 4 2105900 01.09.14 cap 7		10	
Valid for production			
Material:	First Use	Part name/Part title	
	7 620 210 017	Coach MR12	
Drawing-Nr./Ref.no.		Complete Radio (12V)	
7 620 210 017EA		Scale 1:1	
No. of sheets		Sheet no. 1	
1		1	
Weight:		This includes:	