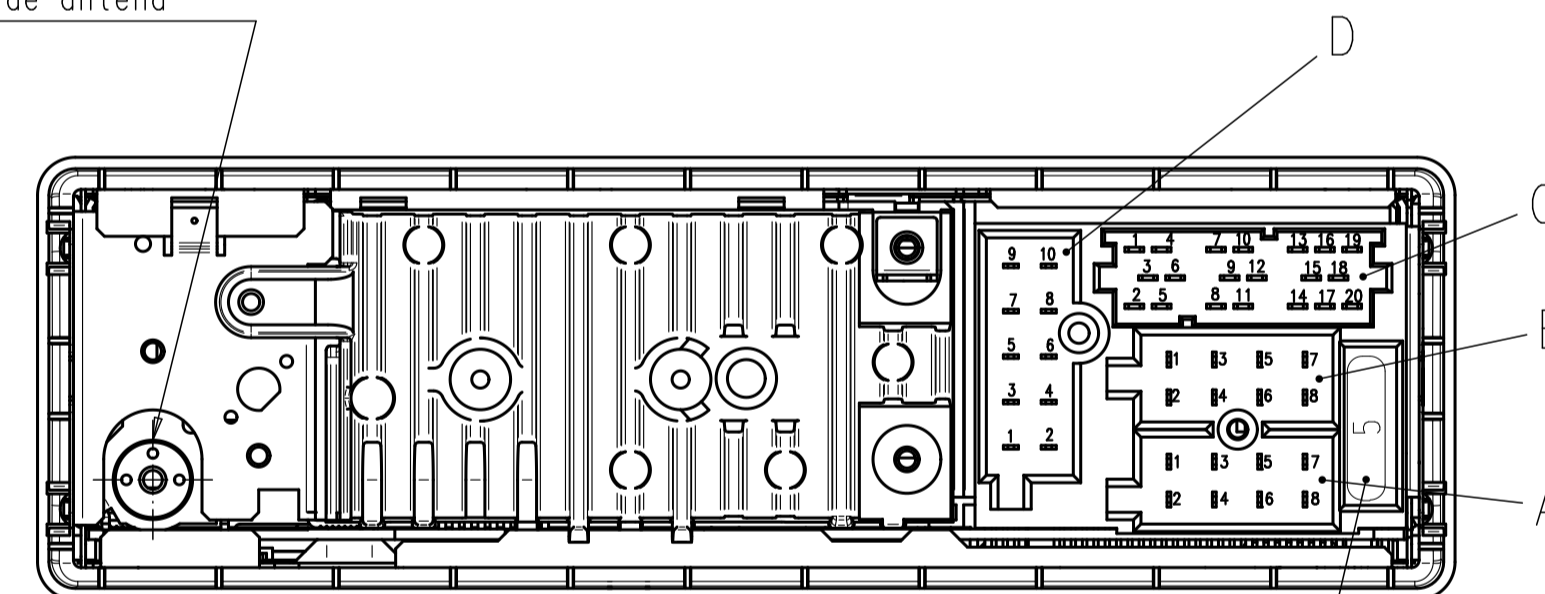
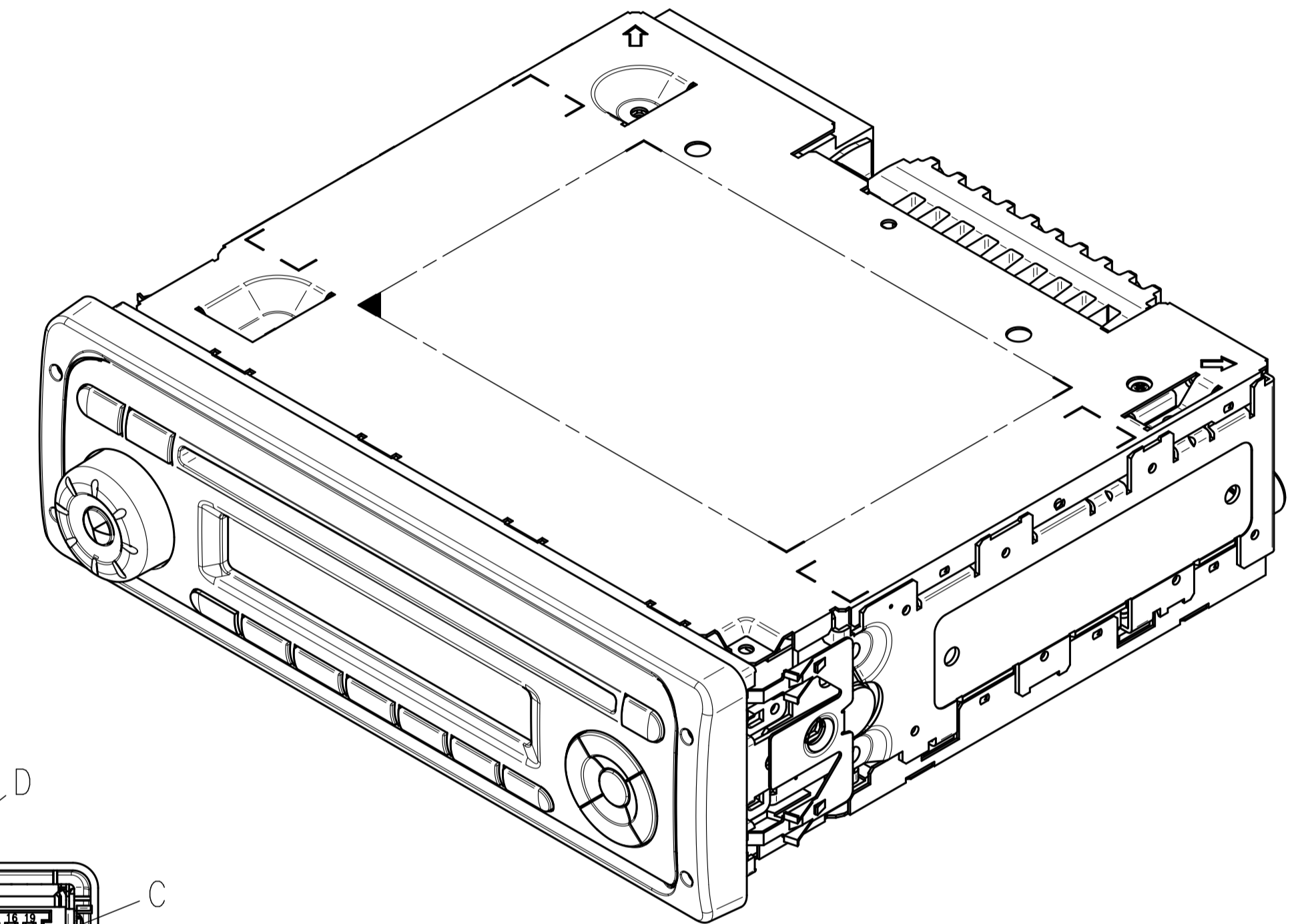


Back View



Flachsicherung
Fuse
Fusible
Fusible



Gerät ohne Verpackung und Beipack gezeichnet.
Diese Zeichnung enthält nur die wesentlichen Einbaumaße.
Weitere Maße sind den Einzelteilzeichnungen zu entnehmen.
Eingetragene Toleranzen sind für die Abnahme bestimmt.

Drawing without packing.
This drawing only includes the most essential mounting dimensions.
If further dimensions are required refer to the part drawings.
Indicated tolerances serve for acceptance.

Dessin du poste sans emballage.
Ce dessin ne présente que les cotes de montage principales.
Pour d'autres cotes se référer aux dessins détaillés des éléments.
Les tolérances indiquées sont destinées à l'acceptation.

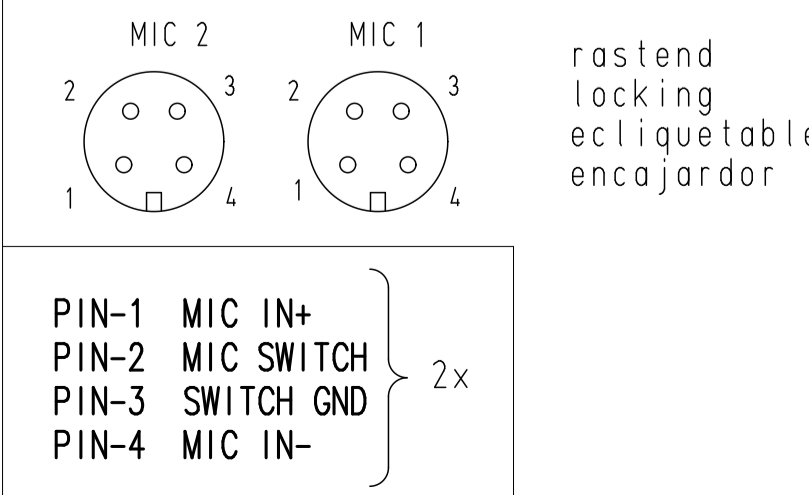
Equipo dibujado sin embalaje.
Este dibujo sólo contiene las dimensiones de montaje esenciales.
Otras dimensiones véanse en los dibujos de detalle.
Tolerancias anotadas previstas para recepción.

Gewicht: ca.
Weight: approximate
Poids: environ
Peso: aproximadente

ⓈEMC: E1: ECE 10 R-04 7235 CE, FCC

NOTE:
Block C1 is for CCA
Block C2 for PHONE
Block C3 for CDC/AUX IN

Steckerbelegung / Pinning / Occupation du connecteur / Alocación de los bornes			
A-1 ----	B-1 AF OUT R COC	C-1 RADIO OUT LEFT (FIX)	D-1 MIC AF (+)
A-2 ----	B-2 AF OUT R GND COC	C-2 RADIO OUT RIGHT (FIX)	D-2 MIC AF (-)
A-3 ----	B-3 SPEAKER R COC(+)	C-3 RADIO/CD GND	D-3 MIC 1 REMOTE
A-4 IGNITION (+24V)	B-4 SPEAKER R COC(-)	C-4 CD OUT LEFT (FIX)	D-4 MIC 2 REMOTE
A-5 ANTENNA/AMP ON (+12V)	B-5 SPEAKER L COC(+)	C-5 CD OUT RIGHT (FIX)	D-5 MIC 2 AF (+)
A-6 ILLUMINATION	B-6 SPEAKER L COC(-)	C-6 CCA ON (+12V OUT)	D-6 MIC 2 AF (-)
A-7 BATTERY (+24V)	B-7 AF OUT L COC	C-7 PHONE AF-IN	D-7 MIC 1 REMOTE GND
A-8 GROUND/MINUS	B-8 AF OUT L GND COC	C-8 PHONE GND	D-8 MIC 2 REMOTE GND
		C-9 PHONE REMOTE	D-9 ----
		C-10 ----	D-10 ----
		C-11 PHONE/MIC AF-OUT	
		C-12 PHONE/MIC GND	
		C-13 CDC/TMC DATA-IN	
		C-14 CDC/TMC DATA-OUT	
		C-15 CDC BATTERY (+24V)	
		C-16 CDC ON (+12V OUT)	
		C-17 CDC/TMC DIGITAL GND	
		C-18 CDC AF/AUX AF-GND	
		C-19 CDC AF/AUX AF-IN LEFT	
		C-20 CDC AF/AUX AF-IN RIGHT	



Teil muss der Bosch-Norm N 2580-1 entsprechen. Part has to correspond with the Bosch standard N 2580-1.											
PCB-Transfer-File:											
Projekt-Library: Team-Ideas_END_BPP-PS											
Measures without indication of tolerance acc. to										CAD	ID
Replaces:											
Replaced by:											
nd.	Mod.Nr.	Date	Name	nd.	Mod.Nr.	Date	Name	nd.	Mod.Nr.	Date	Name
1	A20760_01	17.02.14	SW	1							
Valid for production										Part name/Part title Classic Line 2 CRD47 MP3	
Material:				First Use				Dpt. CM-PS/NY-ENG			
7 620 210 011				7 620 210 011				7 620 210 011EA			
Weight:										Scale 1:1	
No. of sheets/1										Sheet no./1	
This includes:											

ISO E

This technical documentation is our exclusive property. Without our express prior consent, we reserve all rights, including copies or partial reproduction. Any changes in dimensions or deviations from released samples require our explicit consent.