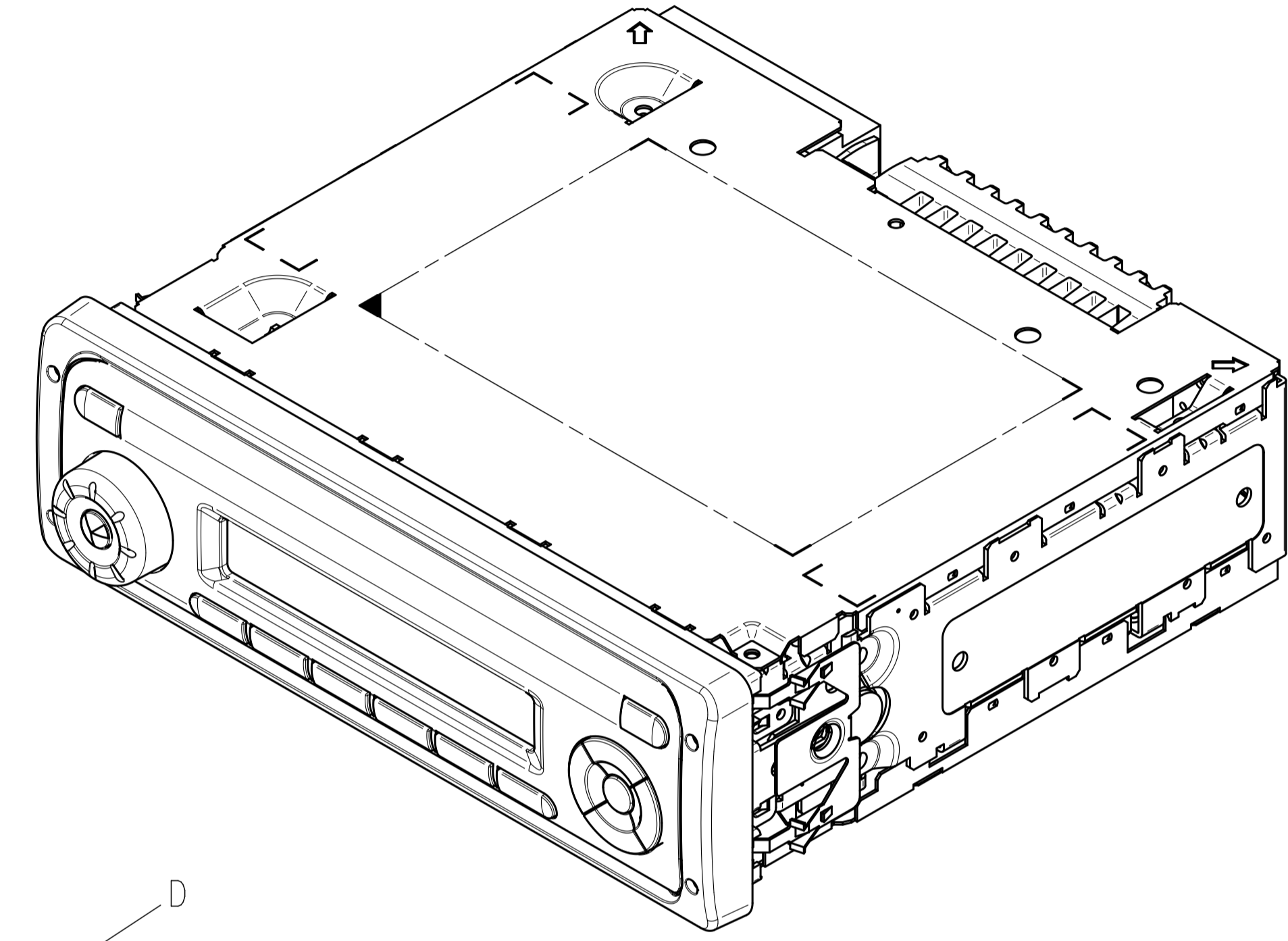
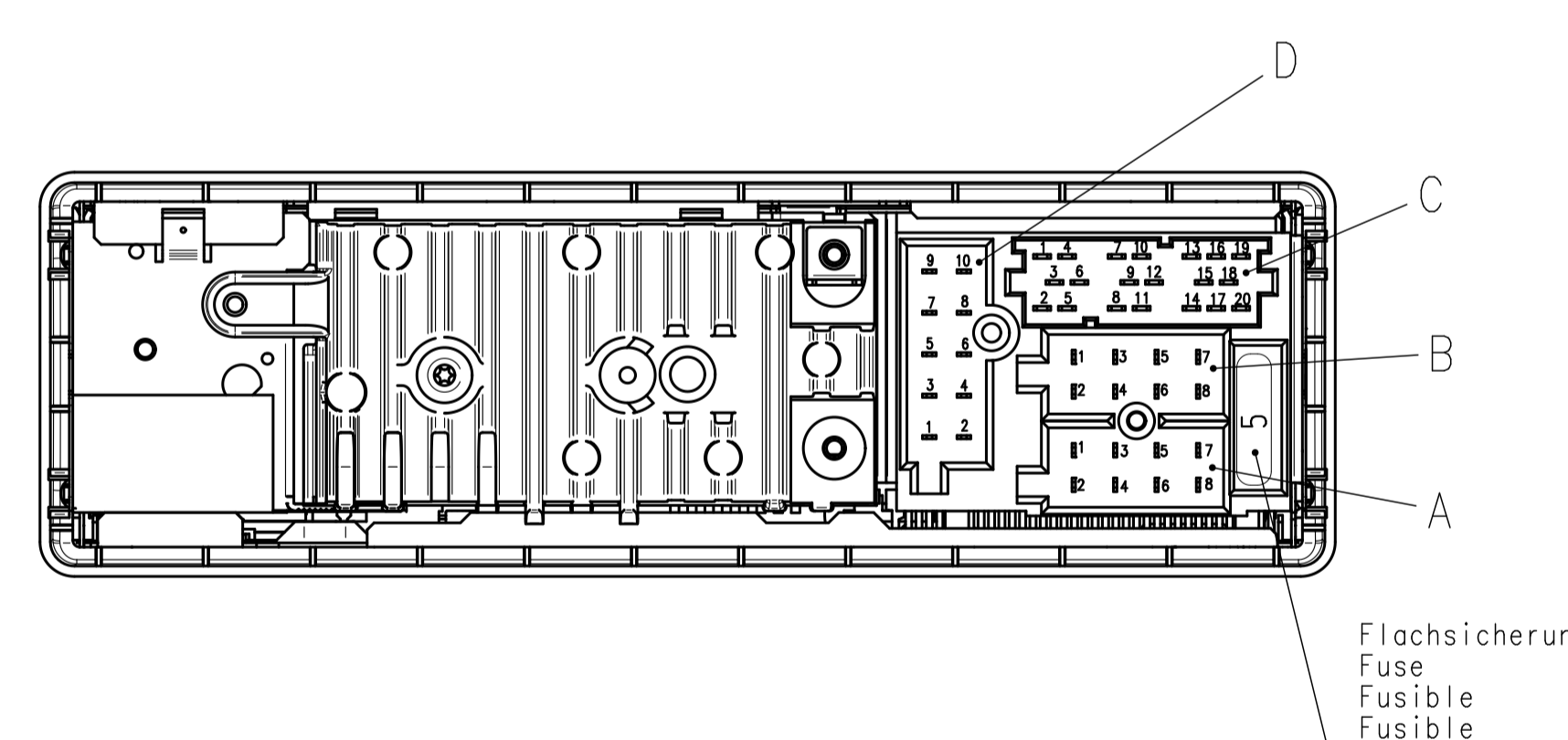


Back View



Gerät ohne Verpackung und Beipack gezeichnet.  
Diese Zeichnung enthält nur die wesentlichen Einbaumaße.  
Weitere Maße sind den Einzelteilzeichnungen zu entnehmen.  
Eingetragene Toleranzen sind für die Abnahme bestimmt.

Drawing without packing.  
This drawing only includes the most essential mounting dimensions.  
If further dimensions are required refer to the part drawings.  
Indicated tolerances serve for acceptance.

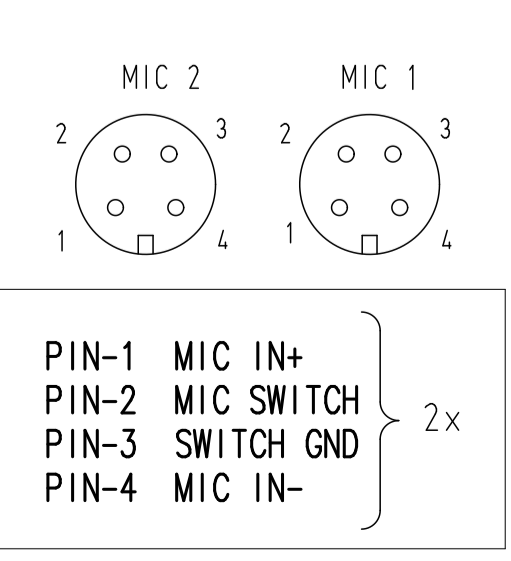
Dessin du poste sans emballage.  
Ce dessin ne présente que les cotes de montage principales.  
Pour d'autres cotes se référer aux dessins détaillés des éléments.  
Les tolérances indiquées sont destinées à l'acceptation.

Equipo dibujado sin embalaje.  
Este dibujo sólo contiene las dimensiones de montaje esenciales.  
Otras dimensiones véanse en los dibujos de detalle.  
Tolerancias anotadas previstas para recepción.

Gewicht: ca.  
Weight: approximote  
Poids: environ  
Peso: aproximadente

NOTE:  
Block C1 is for CRD  
Block C2 for VIDEO  
Block C3 for CDC/AUX IN

Steckerbelegung / Pinning / Occupation du connecteur / Alocación de los bornes			
A-1 CAM In/Out	B-1 PHONE AF OUT	C-1 RADIO IN LEFT (FIX)	D-1 MIC 1 AF (+)
A-2 MAP ON (+12V OUT)	B-2 PHONE AF GND	C-2 RADIO IN RIGHT (FIX)	D-2 MIC 1 AF (-)
A-3 VIDEO RELAY IN	B-3 SPEAKER RIGHT (+)	C-3 RADIO/CD GND	D-3 MIC 1 REMOTE
A-4 VIDEO RELAY OUT	B-4 SPEAKER RIGHT (-)	C-4 CD IN LEFT (FIX)	D-4 MIC 2 REMOTE
A-5 ----	B-5 SPEAKER LEFT (+)	C-5 CD IN RIGHT (FIX)	D-5 MIC 2 AF (+)
A-6 ILLUMINATION	B-6 SPEAKER LEFT (-)	C-6 CCA ON (+12V IN)	D-6 MIC 2 AF (-)
A-7 BATTERY (+24V)	B-7 ----	C-7 CABLE REMOTE	D-7 MIC 1 REMOTE GND
A-8 GROUND/MINUS	B-8 ----	C-8 VIDEO AF GND	D-8 MIC 2 REMOTE GND
		C-9 VIDEO VCC +24V (SW)	D-9 ----
		C-10 VIDEO AF L	D-10 ----
		C-11 VIDEO AF R	
		C-12 VIDEO GND	
		C-13 ----	
		C-14 ----	
		C-15 ----	
		C-16 CDC ON (+12V OUT)	
		C-17 ----	
		C-18 CDC AF/I-POD AF-GND	
		C-19 CDC AF/I-POD AF-IN LEFT	
		C-20 CDC AF/I-POD AF-IN RIGHT	



rastend locking ecliquetable encajador

EMV: E1: ECE 10R-04 7235 CE, FCC

Teil muss der Bosch-Norm N 2580-1 entsprechen.  
Part has to correspond with the Bosch standard N 2580-1.

Projekt-Library-File: Team-Ideas\_END\_BPP-PS

Mod.Nr.	Date	Name	Mod.Nr.	Date	Name	Mod.Nr.	Date	Name	Mod.Nr.	Date	Name
1	A20760_01	17.02.14	SW	1							

Valid for production

Material: 7 620 210 013

First Use: 7 620 210 013

Drawing-Nr./Ref.no: 7 620 210 013EA

Scale: 1:1

No. of sheets: 01

Sheet no.: 01

Weight:

This technical documentation is our exclusive property. Without our express prior consent, we reserve all rights, including copies or partial registration. Any changes in dimensions or deviations from released samples require our explicit consent.