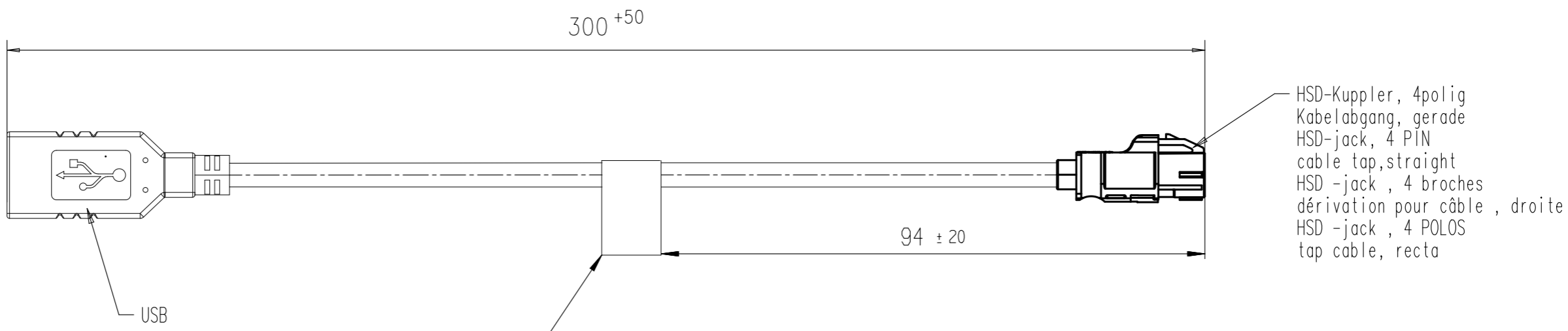
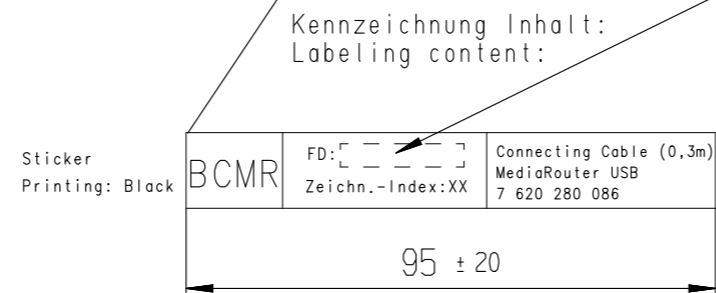


© Robert Bosch GmbH. All rights reserved, also regarding any disposal, exploitation, reproduction, editing, distributing, as well as in the event of applications for industrial property rights.

© Robert Bosch GmbH. All rights reserved, also regarding any disposal, exploitation, reproduction, editing, distributing, as well as in the event of applications for industrial property rights.



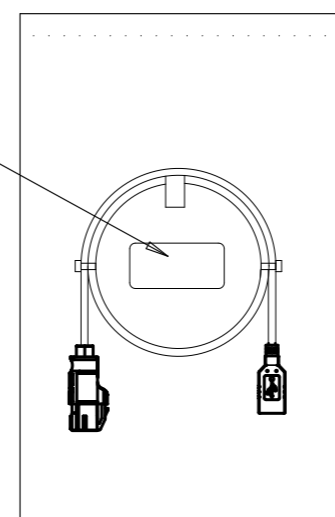
HSD-Kuppler, 4polig
Kabelabgang, gerade
HSD-jack, 4 PIN
cable tap, straight
HSD-jack, 4 broches
dérivation pour câble, droite
HSD-jack, 4 POLOS
tap cable, recta



Kennzeichnung Inhalt:
Labeling content:

Fläche fuer Fertigungsdatum.
Area for date of manufacture.
Surface de contact pour.
Date de fabrication.
Zona para sello de fecha
de fabricación.

Verpackungsaufkleber
Packaging sticker
Autocollant d'emballage
Pegatina



Anlieferungszustand:
Kabel einzeln im Polybeutel verpackt.

Condition as delivered:
Cable individually packed in polythene bag.

Etat à la livraison :
Câbles emballés séparément en sachet poly.

Estado al suministrarse:
Cables vienen embalados individualmente.

Diese Zeichnung enthält nur die wesentlichen Einbaumaße.
Cable drawn without packaging.
This drawing only includes the dimensions that are important for fitting.
Câble représenté sans emballage.
Ce dessin n'indique que les cotes de montage principales.
Ilustración de cables sin embalaje.
Esta ilustración sólo incluye las principales dimensiones de montaje.

Gewicht: 200g
weight: 200g
poids: 200g
peso: 200g

Size acc. to / Masse nach	
ISO 14405-1:2010-12	
envelope principle/ Huellprinzip	ⓔ
□	

00	1st Released	20151020	nsglpgl	Soltau	9050	RBMP/END	
Ind.	Change/Aend.	YYYYMMDD	Drawn/Gez.	Checked/Gepr.	Releas./Freig.	BWN	Resp. dept./Verantw. Abt.
Treatment/ Behandlung						Missed Details/Fehlende Angaben	
Mat./Stoff						From/Aus	
Lang./Spr. en/de	Wght./Gew.	Crit. P.		Scale/M.stab	CABLE ELEKTR LEITUNG		Sheet/Bl. 1 / 1
MNR		N 2580-1		UG	Connection Cable MediaRouter USB		DP/TD 000
TKU		7 620 280 086EA		Ind. 00	Format A3		
Repl. for		Repl. by					